

WAE SERIES Commercial Lighting

LED ECONOMY WRAP-AROUND FIXTURES WITH SENSOR (SENSOR CAN BE DISCONNECTED) & EMERGENCY

WAE-2FT-MCT-DD

MCT Multi Color Temperature (Selectable)

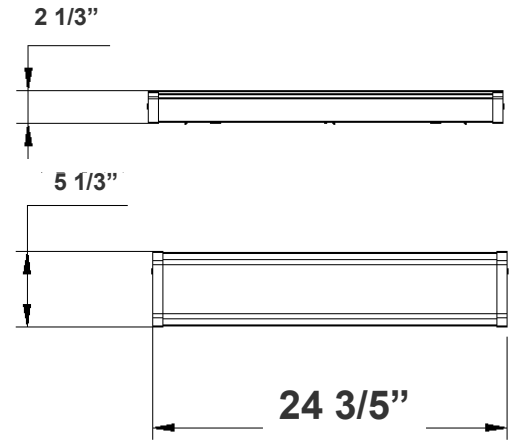
WESTGATE
THE FUTURE IS HERE...AND IT'S QUITE BRIGHT!

Customer Name: _____

Project Name: _____

Note: _____

Type: _____



24 3/5"(L) x 5 1/3"(W) x 21/3"(H)

LED Economy Wrap-around fixtures are ideal for a variety of industrial, commercial and residential applications.

Features

- Housing: Die-formed Cold Rolled Steel With Powder Coated White
- Installation: Ceiling-Mounted
- Lens: Polycarbonate Lens
- MCT: Multi Color Temperature (Selectable Switch Inside Fixture)

Technical Specifications

Electrical:

- Voltage: 120-277V AC 60Hz
- Wattage: 20W
- Power Factor: >0.99
- Efficacy: 80 LPW

Mechanical:

- White Finish
- Housing: Die-formed Cold Rolled Steel With Powder Coated White
- Installation: Ceiling-Mounted
- Operating temperature: -22°F~104°F
- 5-Year Warranty

Sensor Spec:

- Detection Range: 17Ft. / 360°
- Mounting Height: 25Ft. Max.
- DIP Settings switch on The Sensor
- Optional Remote Control (WEC-3RC)

Emergency Battery Backup Spec:

- Output Power: 9W
- Output Voltage: 48V
- Li-Ion Battery / >90 Minutes Emergency Operation
- Test Button Installed on The Side of The Fixture

Lighting:

- Dimming: (Dual Function) Triac Dimmable at 120V & 0-10V Dimming at 120-277V
- Lens: Polycarbonate Lens
- Total Lumens: 1600LM
- Color Temperatures: 3000K/4000K/5000K
- Multi-CCT (Selectable switch inside fixture)
- Color Rendering Index: CRI ≥ 82
- Life Span: 50,000 hrs.

Applications:

- Ideal for a Variety of Industrial, Commercial and Residential Applications.

Other Models:

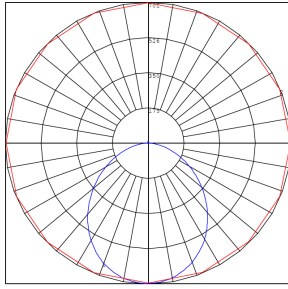
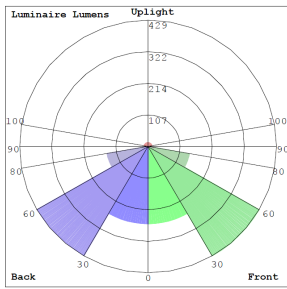
- 40W | 3200LM | WAE-4FT-MCT-DD-EM-SEN



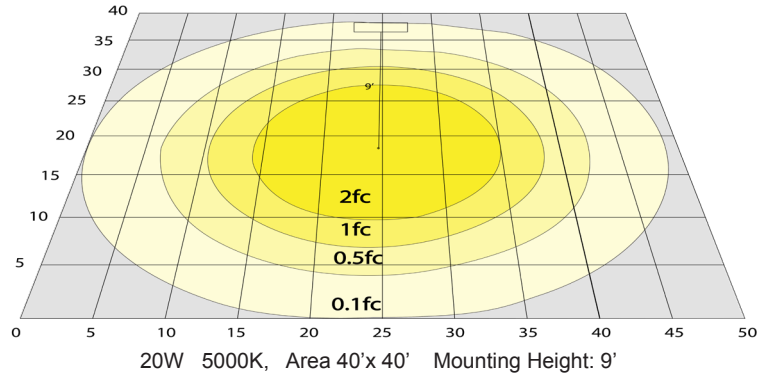
Phone: (877) 805-2252 | Fax: (877) 805-2252
www.westgatemfg.com



Photometrics: WAE-2FT-MCT-DD-EM-SEN



BUD Rating: B1-U2-G1



20W 5000K, Area 40'x 40' Mounting Height: 9'

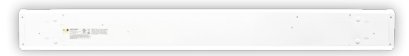
Other Views:



Side View



Front View



Back View

Performance Table: WAE-2FT-MCT-DD-EM-SEN

MODEL NO.	Wattage	Voltage	Lumens	Color Temp.	BUG Rating	LPW
WAE-2FT-MCT-DD-EM-SEN	20W	120~277V	1600LM	3000K 4000K 5000K	B1-U3-G1	80

Sample Ordering

Model	Size	Color Temp.	Dimming	Battery	Sensor
WAE	2FT	MCT	DD	EM	SEN

Accessories:

Blank = No Option For Accessories

SCL-CSY1-6FT= ADJ. 6FT 1/16in SINGLE SUSPENSION 5in CANOPY SET WITH Y DOUBLE KEYHOLE END CONNECTORS, NONPOWER SIDE

SCL-CSY1P-6FT = ADJ. 6FT 1/16in SINGLE SUSPENSION 5in CANOPY SET WITH Y DOUBLE KEYHOLE END CONNECTORS, POWER SIDE WITH SJTW18/5 WHITE COR

WEC-3RC = Remote Control For Motion Sensors (For Sensor Fixtures)

ACCESSORIES:



SCL-CSY1-6FT SCL-CSY1P-6FT



WEC-3RC

